

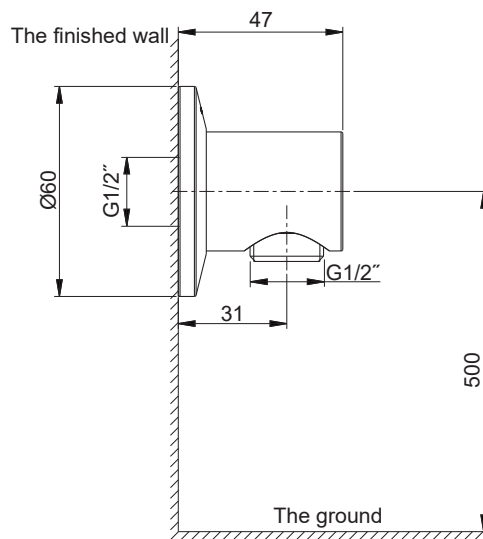
20263T 20263T-MU Wall-mount Connection

BEFORE YOU BEGIN

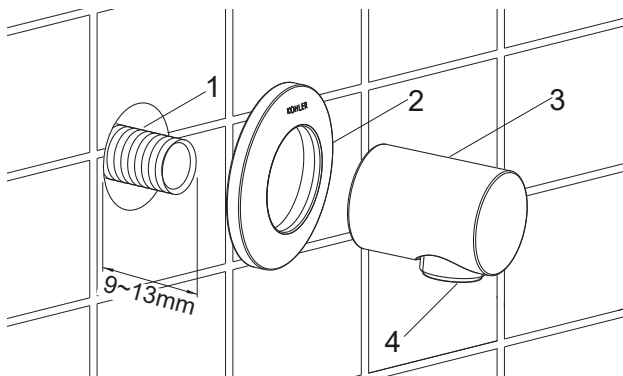
All information is based on the latest product information available at the time of publication. Kohler Co. reserves the right to make changes in product characteristics, packaging, or availability at any time without notice.

Please leave these instructions for the consumer. They contain important information.

ROUGH-IN DIMENSIONS



INSTALLATION



To perform installation, installer must provide G1/2" nipple(1) to the pipe so it extends 9~13mm beyond the finished wall. Apply tape or thread sealant to the nipple threads.

Install the escutcheon(2) onto the connection(3). Thread the connection to the G1/2" nipple. Tighten by strap wrench. Adjust the position and make sure the thread outlet(4) faces down. Push the escutcheon against the finished wall.

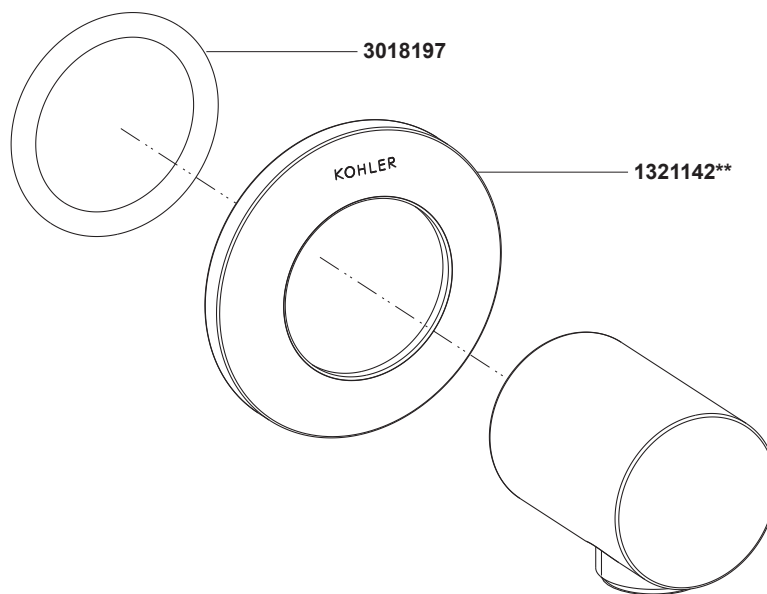
Flush both water supplies through the connection for about one minute to remove debris.

CLEANING INSTRUCTIONS

All Finishes: Clean the finish with mild soap and warm water. Wipe entire surface completely dry with clean soft cloth. Many cleaners may contain chemicals, such as ammonia, chlorine, toilet cleaner etc, which could adversely affect the finish and are not recommended for cleaning.

Do not use abrasive cleaners or solvents on Kohler faucets and fittings.

SERVICE PARTS



**Color code must be specified when ordering.